



SERVING THE FOOD INDUSTRY SINCE 1951

48" Grab-and-Go Open Refrigerated Self-Serve Display Case

ITEM: 48273
MODEL: RS-CN-0490-L



Stylish Open Front Refrigerated Showcase

Spacious display unit design for easy access and visibility. A generous 15 cu.ft. (426L) capacity provides ample room for variety of chilled items. The open-front design allows for convenient, self-service access. Idea for showcasing snacks, beverages and perishables.

FEATURES:

- Material: Stainless Steel
- Internal LED lighting at 2 front sides
- Digital temperature controller and display
- 4 Castors with 2 brakes
- Double tempered glass with night curtain
- Ventilated cooling system
- Automatic defrost
- Adjustable shelves
- Condensation water evaporated automatically
- Condensation at back side free maintenance

Telephone: 1-800-465-0234

Fax: (905) 607-0234

Email: sales@omcan.com

Website: www.omcan.com



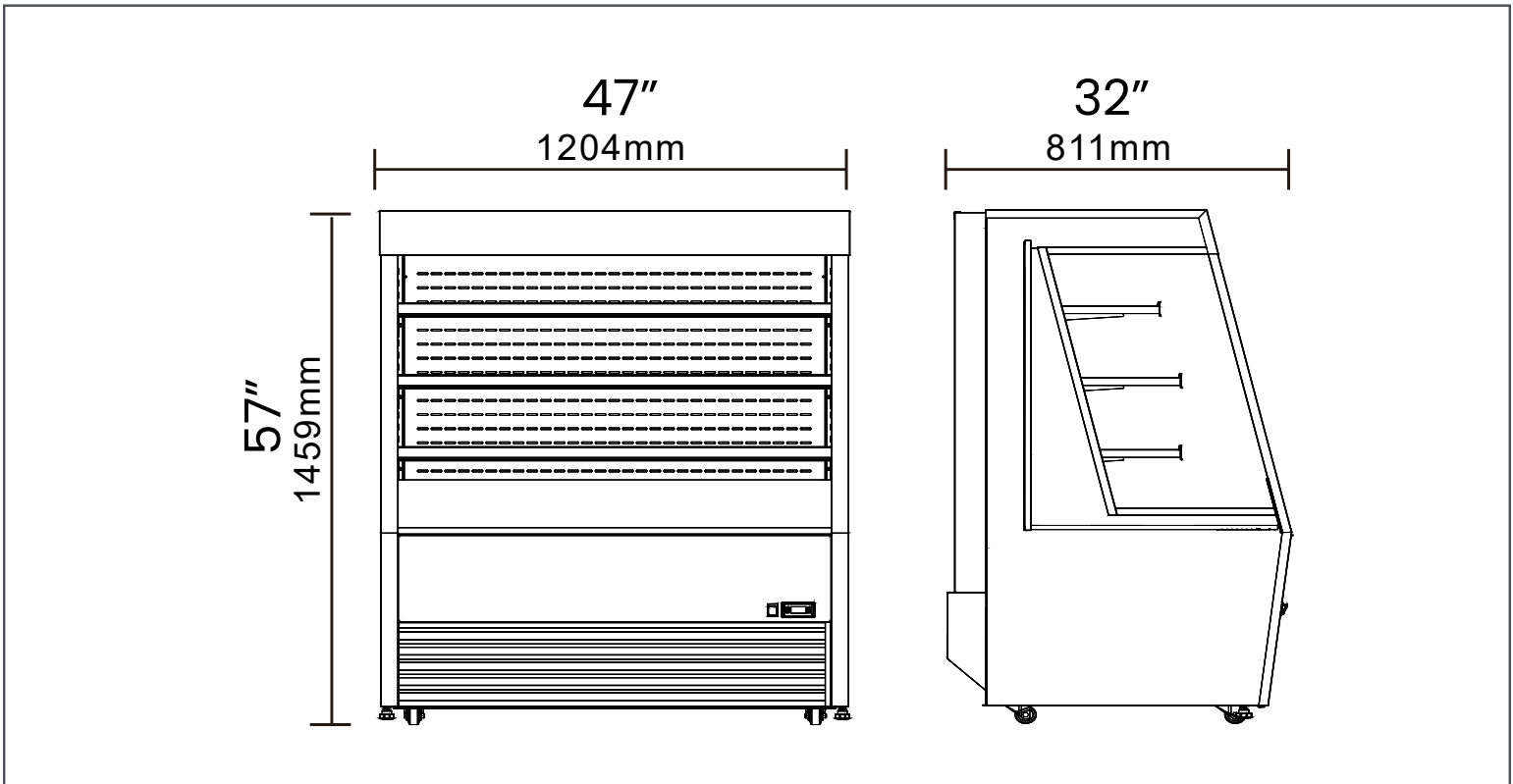
Authorized Dealer



TECHNICAL SPECIFICATION

Item	48273
Model	RS-CN-0490L
Type	Stainless Steel
Capacity	426 L / 15.04 cu.ft.
Temperature Range	2 - 10°C / 35.6 - 50°F
Max Ambient Temp Rating	24°C / 75°F
Electrical	110-120V / 60Hz / 1
Power	1300 W
Refrigerant	R290
Net Weight	370 lbs. (168 kg)
Net Dimensions (WDH)	47" x 32" x 57" (1204 x 811 x 1459 mm)
Gross Weight	405.7 lbs. (184 kg)
Gross Dimensions (WDH)	50" x 35" x 64" (1270 x 880 x 1625 mm)

TECHNICAL DRAWING



Dimensions rounded up to the nearest inch or millimeter. Specifications subject to change without notice.